

Which mode do you need? Refer to the table to choose a proper mode.

Scenario	Operation Mode
You want to transform your wired (Ethernet) network to a wireless one.	Access Point Mode (Default Mode)
You are in a Wi-Fi dead-zone or a place with weak wireless signal. You want to have a larger effective range of the wireless signal throughout your home or office.	Range Extender Mode
You have a wired device with an Ethernet port and no wireless capability, for example, a Smart TV, Media Player, or game console. You want to connect it to the internet wirelessly.	Client Mode
You want to connect your devices to different wireless networks and become isolated by VLANs.	Multi-SSID Mode

Quick Installation Guide

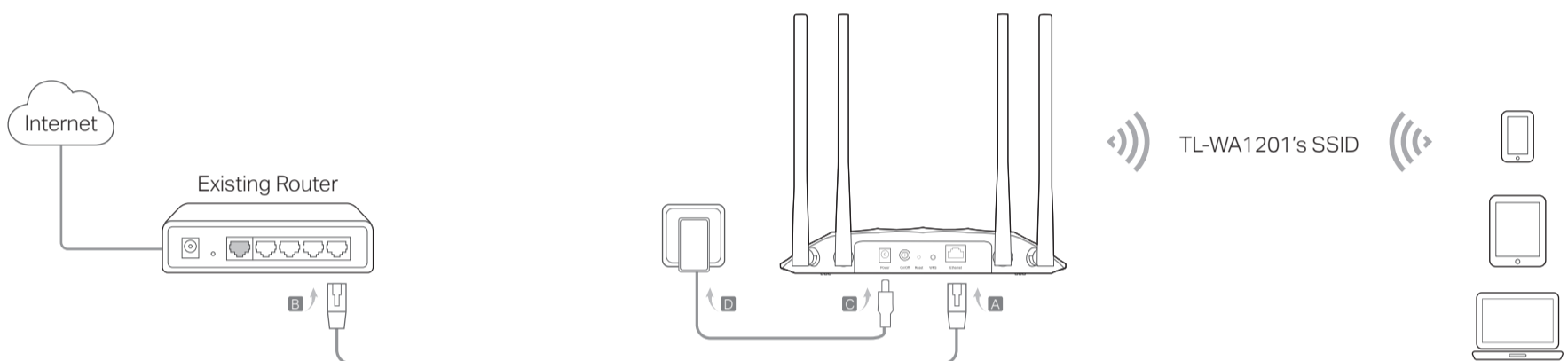
Wireless Gigabit Access Point

TL-WA1201



Configure the Access Point

- **Access Point Mode (Default)** Transforms your existing wired network to a wireless one.



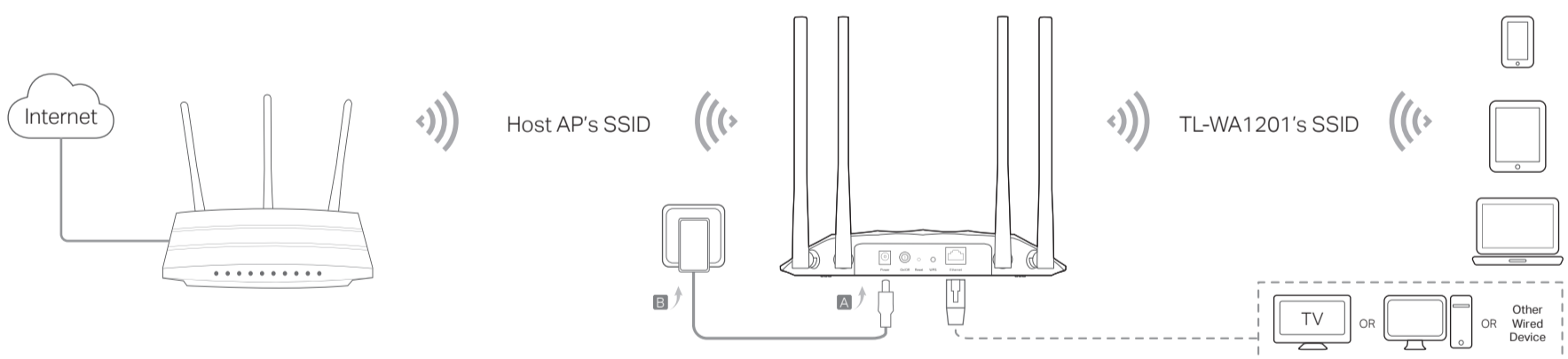
1. Connect the access point according to Step A to D in the diagram.
2. Turn on the power, and wait until the Wireless LEDs (📶) are lit and stable.
3. Use the default SSID and Password printed on the label of the access point to join its Wi-Fi network.

Note: You can surf the internet now. For your wireless network security, it is recommended to change the default SSID (network name) and the password of your Wi-Fi network. To do so, perform the following steps.

4. Launch a web browser and enter <http://tplinkap.net>. Create a password to log in.
5. Go to **Quick Setup**, select **Access Point** mode and click **Next**. Follow the step-by-step instructions to complete the configuration.
6. Now, reconnect your wireless devices to the new Wi-Fi network.

😊 Enjoy!

- **Range Extender Mode** Extends the range of an existing Wi-Fi network.



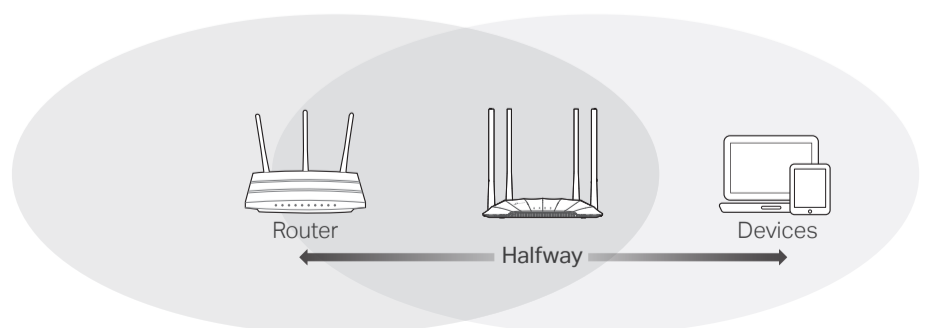
1. Connect the access point according to Step A and B in the diagram.
2. Turn on the power, and wait until the Wireless LEDs (📶) are lit and stable.
3. Use the default SSID and Password printed on the label of the access point to join its Wi-Fi network.
4. Launch a web browser and enter <http://tplinkap.net>. Create a password to log in.
5. Go to **Quick Setup**, select **Range Extender** mode and click **Next**. Follow the step-by-step instructions to complete the configuration.

6. Relocate the access point to a suitable place. For details, refer to the tips below.
7. Now, connect your devices to the access point wirelessly or via an Ethernet cable.

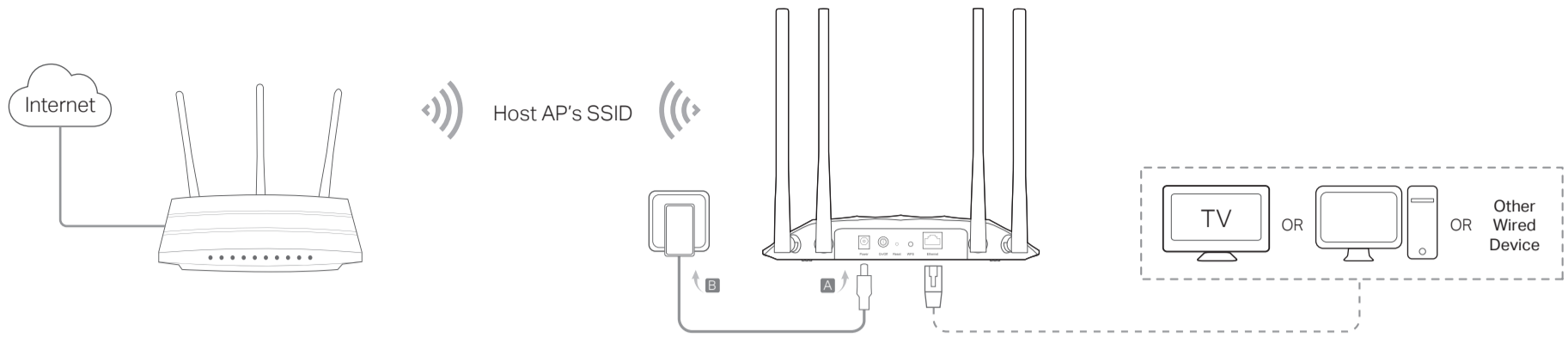
😊 Enjoy!

Tips for Optimal Wireless Signal

- **Halfway is the best way.**
Generally, the ideal location for a repeater is about halfway between your wireless router and your wireless clients and make sure that the location you choose is within the range of the host router. If that is not possible, place it closer to your wireless router to ensure stable performance.
- **Less obstacles ensure better performance.**
Choose a location with less obstacles around that may block the signal between the access point and the host network. An open corridor or a spacious location is ideal.
- **Less interference provides more stability.**
Choose a location away from Bluetooth devices and other household electronics, such as cordless phones, microwaves, and baby monitors to minimize signal interference.

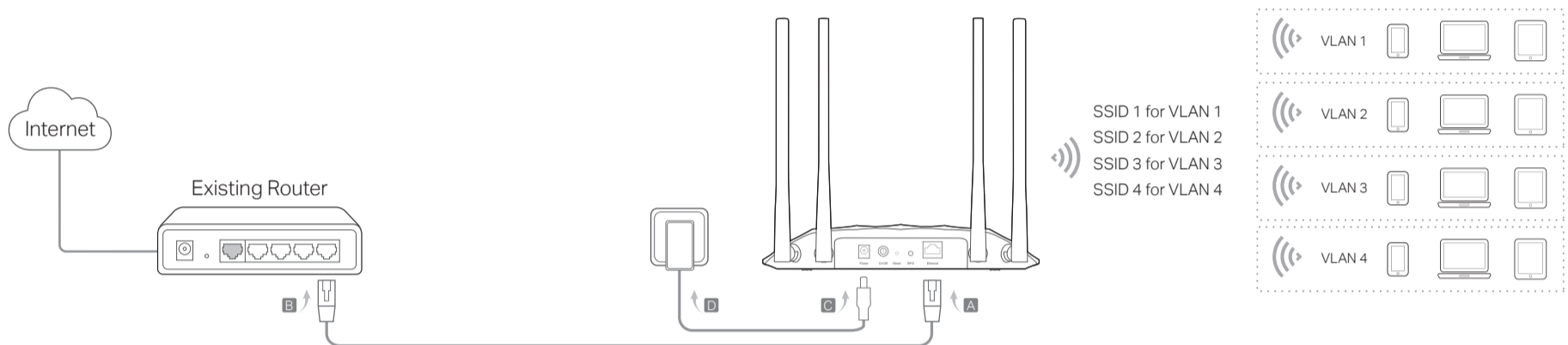


• **Client Mode** Connects your wired devices to a wireless network.



1. Connect the access point according to Step A to B in the diagram.
 2. Turn on the power, and wait until the Wireless LEDs (📶) are lit and stable.
 3. Use the default SSID and Password printed on the label of the access point to join its Wi-Fi network.
 4. Launch a web browser and enter <http://tplinkap.net>. Create a password to log in.
 5. Go to **Quick Setup**, select **Client mode** and click **Next**. Follow the step-by-step instructions to complete the configuration.
 6. Now, connect your wired device to the access point via an Ethernet cable.
- 😊 Enjoy!

• **Multi-SSID Mode** Creates multiple wireless networks to provide different security and VLAN groups.

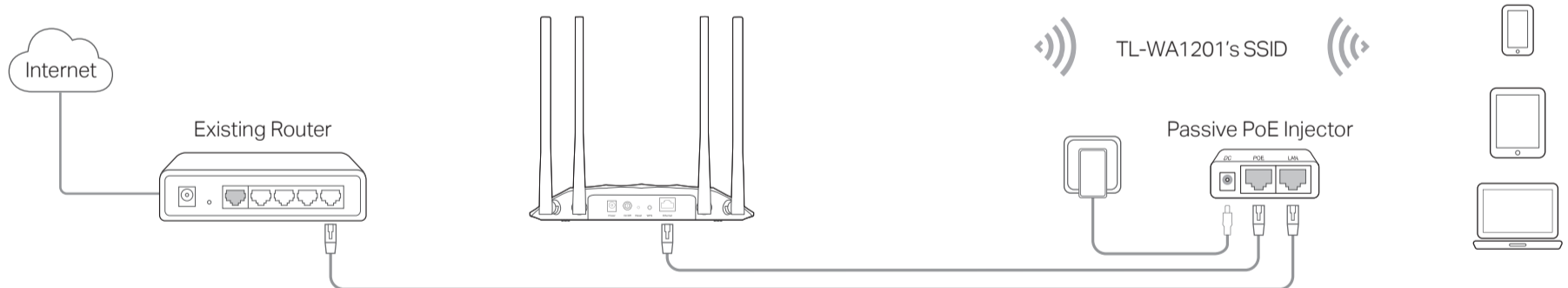


1. Connect the access point according to Step A to D in the diagram.
 2. Turn on the power, and wait until the Wireless LEDs (📶) are lit and stable.
 3. Use the default SSID and Password printed on the label of the access point to join its Wi-Fi network.
 4. Launch a web browser and enter <http://tplinkap.net>. Create a password to log in.
 5. Go to **Quick Setup**, select **Multi-SSID mode** and click **Next**. Follow the step-by-step instructions to complete the configuration.
 6. Now, connect your wireless devices to the Wi-Fi networks.
- 😊 Enjoy!
- Tip: If you want to isolate different networks, go to **Wireless > Wireless Settings**, click the edit icon of each SSID entry and set different VLAN IDs.

Power on via the PoE Injector

Power the device with the included passive PoE injector when the access point is located far from a power outlet.

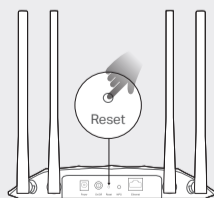
Note: The passive PoE injector supports a cable length up to 30 meters, but the value may vary due to the environment.



Frequently Asked Questions (FAQ)

Q1. How do I restore the access point to its factory default settings?

- With the access point powered on, use a pin to press and hold the **Reset** button until all LEDs turn off, then release the button.
- Note: Resetting the access point will clear all previous configurations, and the access point will reset to the default Access Point mode.



Q2. What should I do if I cannot access the web management page?

- If the computer has a static IP address, change its settings to obtain an IP address automatically.
- Verify that <http://tplinkap.net> or <http://192.168.0.254> is correctly entered in the web browser.
- Use another web browser and try again.
- Reboot your access point and try again.
- Power off your host AP and enter <http://tplinkap.net> in the web browser to try again.

Q3. How do I recover the access point's web management password or retrieve my Wi-Fi password?

- If you forget the password for the web management page, refer to Q1 to reset the access point to its factory default settings. Then create a new login password.

- If you forget your Wi-Fi password, but are able to log in to the web management page, log in and go to **Wireless > Wireless Settings** to retrieve or reset your Wi-Fi password.

Q4. What should I do if my wireless network is not stable?

This could be caused by interference. You can try the following methods:

- Log in to the web management page. Go to **Wireless > Wireless Settings** and change your wireless channel to a different one.
- Move the access point to a new location away from Bluetooth devices and other household electronics, such as cordless phones, microwaves, and baby monitors to minimize signal interference.

Safety Information

- Keep the device away from water, fire, humidity or hot environments.
- Do not attempt to disassemble, repair, or modify the device. If you need service, please contact us.
- Do not use any other chargers than those recommended.
- Do not use damaged charger or USB cable to charge the device.
- Do not use the device where wireless devices are not allowed.
- Adapter shall be installed near the equipment and shall be easily accessible.

Please read and follow the above safety information when operating the device. We cannot guarantee that no accidents or damage will occur due to improper use of the device. Please use this product with care and operate at your own risk.

TP-Link hereby declares that the device is in compliance with the essential requirements and other relevant provisions of directives 2014/53/EU, 2009/125/EC, 2011/65/EU and (EU) 2015/863.

The original EU declaration of conformity may be found at <https://www.tp-link.com/en/support/ce/>

TP-Link hereby declares that the device is in compliance with the essential requirements and other relevant provisions of the Radio Equipment Regulations 2017.

The original UK declaration of conformity may be found at <https://www.tp-link.com/support/ukca/>

For technical support, replacement services, user guides, and other information, please visit <https://www.tp-link.com/support>, or simply scan the QR code.

